



Owner's Guide

Operating Instructions and Warranty

Sonus
Legacy
Tribute

Contents

Birth certificate	2
Introduction	3
Caring for your new Zon bass.....	4
Adjustments.....	5
Bridge	5
Pickups	6
About set-up.....	8
Important note about truss rod adjustment	9
Truss rod adjustment for Tribute	9
Truss rod adjustment for Tribute Pro	10
Electronics	11
ZP-2S.....	12
ZP-2D & ZP-2DM.....	14
ZP-3D	16
Internal controls	18
Piezo EQ	18
ZP-4	20
ZB-2.....	22
ZB-3	24
ZB-4	26
ZB-5	28
ZB-6	30
ZDP 1 & ZAP-3	32
ZAP-1.....	34
S2 Lightwave	35
Calibration instructions for S2 Lightwave system	37
Piezo voicing DIP switch settings	37
Preliminary optical alignment	39
Intonation	39
Warranty	40
Parts & Update Information.....	40



Birth Certificate

Model: _____

Serial number: _____

Date of manufacture: _____

Color: _____

Woods: Core _____

Top _____

Pickups: _____

Electronics: ZP-2S / ZP-2D / ZP-2DM / ZP-3 / ZP-4

ZB-2/ ZB-3 / ZB-4 / ZB-5 / ZB-6 / ZDP-1

ZAP-3 / ZAP-1 / Lightwave S2

Final inspection by _____

Zon Guitars

780 Second Ave.

Redwood City, CA 94063 USA

Telephone: 650-366-3516

Fax: 650-366-9996

Email: customerservice@zonguitars.com

<http://www.zonguitars.com>



Introduction

Thank you for making your choice a ZON bass. Crafted by artisans with a passion for building each instrument as if it was their very own, your bass is the culmination of classic hand-craftsmanship and the best in contemporary materials.

The neck and body of your bass were completely crafted in our Redwood City facility. The import models are carefully scrutinized in our facility to meet our standards of quality. This meticulous attention to detail, comfort and aesthetics is our hallmark, ensuring you a bass with a lifetime of reliable service and playing enjoyment.

Careful thought has been put into the design and creation of each model we offer. Each component is selected to work with and complement the other in order to achieve the distinctive voice prescribed for that particular model bass.

Pickups and electronics are designed exclusively for Zon and made to our specifications from the highest-quality components. The hardware is machined to precision tolerances in order to facilitate accurate, stable tuning and micro-fine adjustments.

Hand-selected, premium-grade woods were used in the construction of your instrument and finished by hand to achieve a lasting beauty. The fretwork is also dressed by hand, and the instrument thoroughly set-up, adjusted and tested prior to shipment, ensuring a bass with optimum playability and performance.

The contents of this Owner's Guide are filled with valuable information about your new instrument. Please read it carefully to learn how to care for your bass and before making any adjustments. If you are uncomfortable with any of the procedures contained in this manual, take your instrument to a qualified repairperson. In the event you should need special assistance, please contact us at toll free at 1 877 PLAY ZON or via the web at www.zonguitars.com.

Sincerely,
Joseph M. Zon
President, Zon Guitars

Caring For Your New Zon Bass

By design, your bass is virtually maintenance-free, making it a consistently reliable tool. Here are a few things that will help preserve the beauty and performance of this instrument for years to come.

General

Avoid exposure to extreme temperature changes. When bringing your bass inside from a cold environment, *keep the case closed*. Allow the instrument to acclimate by waiting until the case warms to room temperature before opening it. This will allow the instrument's wood and finish to expand at the same rate, preventing the finish from shattering.

Likewise, do not leave your instrument in direct sunlight or in the trunk of a car on a hot day. Temperatures in a car trunk can exceed 212 degrees F (100 degrees C). Extended exposure to this condition can cause severe damage to the instrument.

Periodically check all the screws and string saddles to make sure everything is tightened snug and working properly.

Finish

The finish on your bass is a catalyzed polyester coating, formulated to be impervious to moisture and far more durable than lacquer. It can be cleaned using Zon Finesse, a cleaner specially made for this type of finish. Do not use furniture polish or cleaners on your bass, they build up and turn gummy.

Fingerboard

Cleaning the phenowood fingerboard on our composite necks can be done using a small drop of WD-40 on a cloth and working it into the surface.

Cleaning the rosewood/pau ferro fingerboard on our wood necks can be done using a small amount of lemon oil and working it into the wood grain.

Adjustments

Your instrument has been completely adjusted and set up by our technicians. Due to shipping, personal playing preferences and circumstances beyond our control, some minor adjustments may be required. If you are inexperienced with any of the following procedures, take your instrument to a qualified repairperson.

The adjustments in this book are for reference purposes only. Zon Guitars assumes no liability for damage to the instrument caused by improper adjustments or modifications as a result of viewing this information.

Bridge

Your instrument is equipped with a two-way adjustable Zon bridge. Adjustments to this bridge optimize string height and intonation.

Adjusting string height. Insert the 1.5mm hex key (supplied) into one of the small hex screws located at the corner on each side of the saddles' leading edge (see Fig. 1).

Turning the hex key clockwise raises the saddle, increasing string height. Turning counter-clockwise lowers the saddle, decreasing string height. It is important that the saddle heights follow the fingerboard radius for proper playability (see Fig. 2). To check this, sight down the fingerboard from the nut toward the bridge and make sure that the saddles follow the curvature of the fingerboard.

Setting intonation. Adjust the Phillips-head travel screw on the

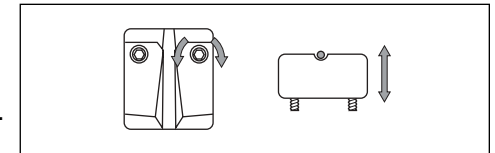


Fig. 1. Turning each saddle's hex screws adjusts the string height.

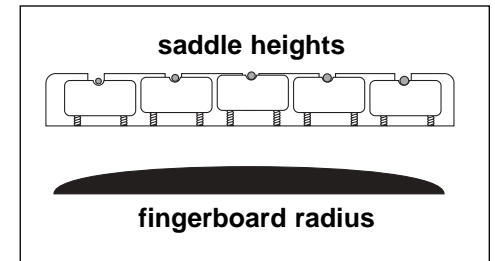


Fig. 2. Adjust saddle heights to match the fingerboard radius.

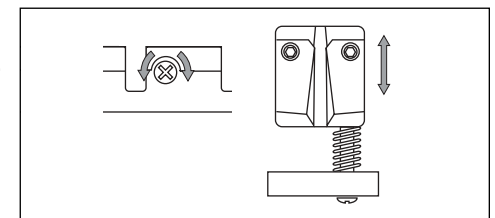


Fig. 3. Turning each saddle's travel screw adjusts the string's intonation.

bridge's back edge (Fig. 3). Rotating this screw counterclockwise moves the saddle forward (toward the neck), causing the string pitch to raise (become sharp). Rotating the screw clockwise moves the saddle backward (toward the bridge), causing the string's pitch to lower (become flat). The instrument is perfectly intonated when the harmonic at the 12th fret and the fretted note at the 12th fret are equal in pitch.

For more information on adjustments, visit the Zon Guitars web site, at <http://www.zonguitars.com>.

Pickups

The pickups on your bass should be set for equal balance of volume from the neck to the bridge position, as well as from string to string. The pickups should be set close to the strings for maximum output, but not so close that the strings contact the pickup surface when played. String contact with the pickup will mar the surface and send unwanted transients through your amp, possibly causing damage to it.

Please note: When adjusting pickup heights, care should be taken not to overtighten the screws, as damage may occur to the pickup.

Adjusting the narrow-bar-style pickups (Fig. 4). With a small Phillips-head screwdriver, adjust the screws located on either edge of

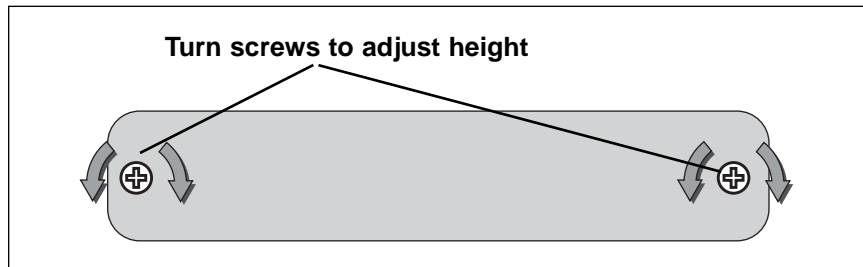


Fig. 4. Turning each screw clockwise lowers its side of the pickup, while turning counterclockwise raises it.

the pickup to achieve the desired height. Clockwise rotation of the screw lowers the pickup. Counterclockwise rotation raises the pickup. The machine screws used to secure the pickups feed into threaded inserts set into the body. This provides smooth adjustment and prevents the screw from stripping the hole, a common problem when regular wood screws are used.

Adjusting the soapbar-style pickups (Fig. 5 & 6). To begin, the mounting of these pickups was designed to eliminate springs and provide a rigid fix to the body. In this design, two screws on the pickup's face pull down while two screws located through two holes in the pickup push up.

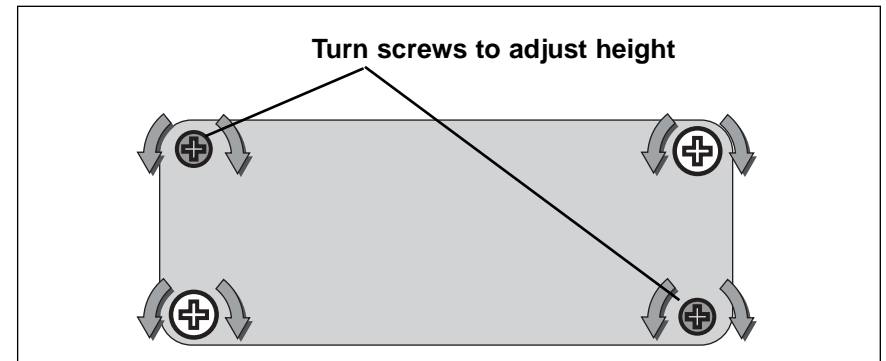


Fig. 5. Two screws adjust the pickup height, while two lock the pickup in place.

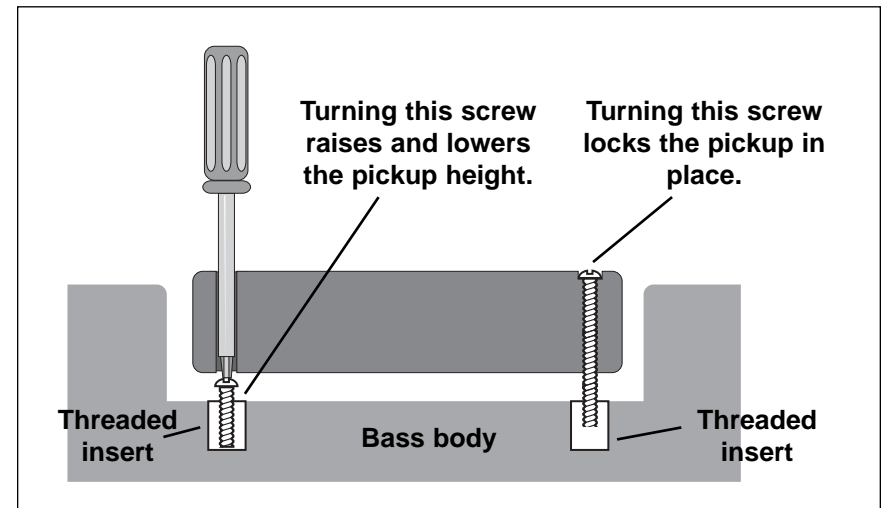


Fig. 6. Turning each screw clockwise lowers its corner of the pickup, while turning counterclockwise raises it.

With a medium Phillips-head screwdriver, locate the screws on the pickup's upper treble-side corner and lower bass-side corner. Rotate these screws counterclockwise—just enough to break them free. Next, locate the holes at the pickup's lower treble-side corner and upper bass-side corner. Insert a #0 Phillips-head screwdriver into the holes, alternately rotating the screws clockwise to lower the pickup or counterclockwise to raise the pickup. By manipulating the screws' height, different angles of pitch to the pickup can be achieved, helping to fine-tune the pickup's positioning and balance.

Adjusting 3-screw pickups. Zon Sonus 4/1, 4/2, 5/1, 5/2 basses are equipped with pickups that have three adjustment screws—two on the

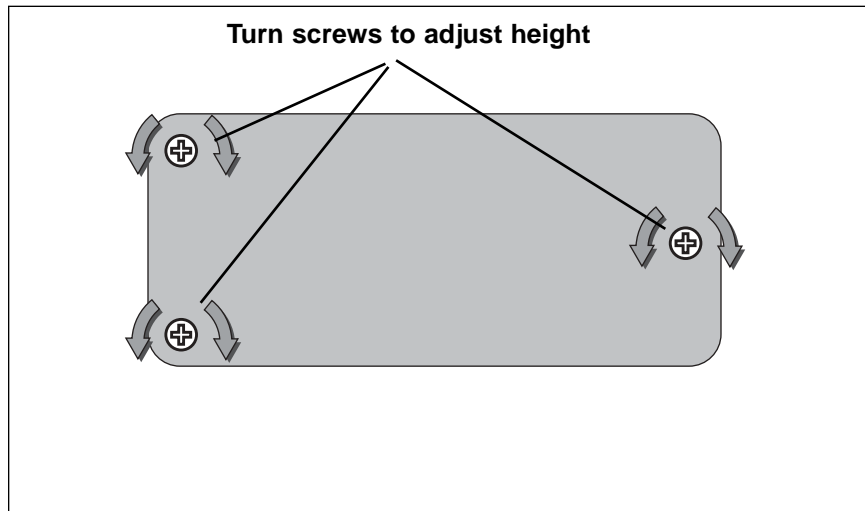


Fig. 7. Turning each screw clockwise lowers its corner of the pickup, while turning counterclockwise raises it.

bass side and one on the treble side. With a small Phillips-head screwdriver, adjust the screws located on either edge of the pickup to achieve the desired height. Clockwise rotation of the screw lowers the pickup. Counterclockwise rotation raises the pickup. The machine screws used to secure the pickups feed into threaded inserts set into the body. This provides smooth adjustment and prevents the screw from stripping the hole, a common problem when regular wood screws are used.

About Set-Up

The amount of neck relief is a personal choice as different playing styles require different string action. Too little relief, and the frets will buzz. Too much relief, and the bass will be difficult to play.

General

Our composite necks **do not** require any adjustment. They are designed to provide proper playing relief without the aid of a truss rod. However, our wood necks will require periodic adjustment with seasonal changes.

Before making a truss rod adjustment, assess the direction of adjustment by sighting down the edge of the fingerboard from the string nut to heel. Curvature of the fingerboard away from the string indicates underbow. Curvature toward the string indicates overbow. Ideally, the neck should have a slight amount of underbow, just shy of being straight. If adjusted properly, this will provide low action with minimal fret noise. For even less fret noise and more challenging action, add relief. These adjustments can be made with the strings at normal tension.

Important Note About Truss Rod Adjustment

Be careful *not* to overtighten the adjusting nut. Doing so could strip the rod, making it useless. If you feel uncomfortable making these adjustments, contact an experienced repairperson.

Truss Rod Adjustment

Truss rods are installed in the necks of the Tribute and Tribute Pro to facilitate the correction of neck relief (overbow or underbow) caused by string tension and/or changes in temperature and humidity. The amount of relief in either direction directly affects the instrument's string height and playability.

Tribute

This model has one dual-action truss rod, which allows the neck to be adjusted in either direction. Therefore, it is possible to compensate for underbow or overbow.

Making adjustments. Remove the cover plate behind the string nut on your instrument. Using the 4mm hex wrench supplied with your instrument, turn the adjusting nut clockwise to decrease the amount of relief and straighten the neck, or counterclockwise to increase the amount of relief, giving the neck underbow.

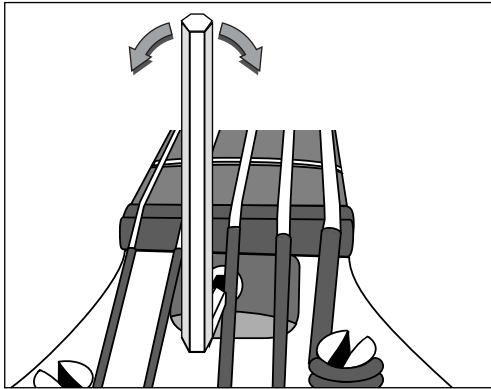


Fig. 8. Turn the single hex adjustment nut on the Tribute small amounts to adjust relief and straightness.

Tribute Pro

This model has a single rod for neck adjustment. Dual graphite bars embedded in this neck add extra stiffness and assist the truss rod in providing a balanced adjustment.

Making adjustments. Locate the adjustment nut at the heel of the neck. Using the 9/64" hex wrench supplied with your instrument, turn the adjusting nut clockwise to decrease the amount of relief and straighten the neck, or counterclockwise to increase the amount of relief giving the neck underbow.

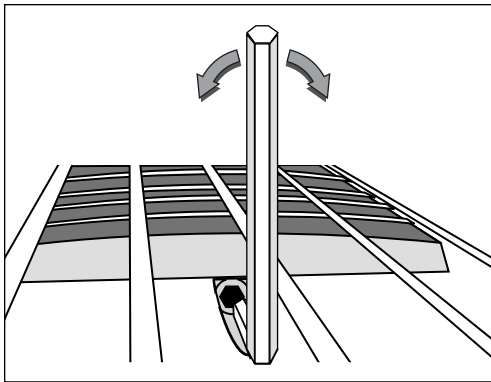


Fig. 9. Turn the Tribute Pro's single adjustment nut to set the amount of relief and straightness.

Electronics

The electronics on your Zon bass are made to provide you with versatility and optimal tonal shaping. Each "package" is designed to work in conjunction with and complement the other components of the instrument so that the "sum of all the parts" will culminate in the distinctive voice prescribed for that particular model.

General

All of our active electronics use the highest-quality components for low-noise, long-term use and reliability. Power consumption varies with each circuit, depending on the complexity of its functions. Low power reserves are indicated by a loss of output and an increase in noise or distortion. To remedy this situation, change the battery (or batteries).

Before changing the batteries, be sure the cable is *not* plugged into the output jack of the bass. Remove the backplate screws and cover, and then unclip the battery from the harness. Be careful not to yank the harness, as this action may cause the wires to break from their connections.

Transfer the foam jacket (which helps prevent the metal case of the battery from shorting the components) from the old battery onto the new one and attach the harness connector in place. Install the backplate and connect the guitar cable to test.

Note: To prolong battery life, unplug your instrument when you are not playing. If your bass requires two batteries, always change both of them at the same time.

Warning: Replace the battery with a good-quality 9-volt alkaline. Do not use rechargeable batteries.

ZP-2S

MODEL: *Hyperbass*

- Description:** Class A design with studio-grade components on a printed circuit board
- Function:** Active master volume, bass, treble, and internal midrange boost/cut
- Specifications:** Output level +16dBm, S/N ratio 100dB
- Power requirements:** One 9-volt battery
- Battery life expectancy:** 200 hours continuous use

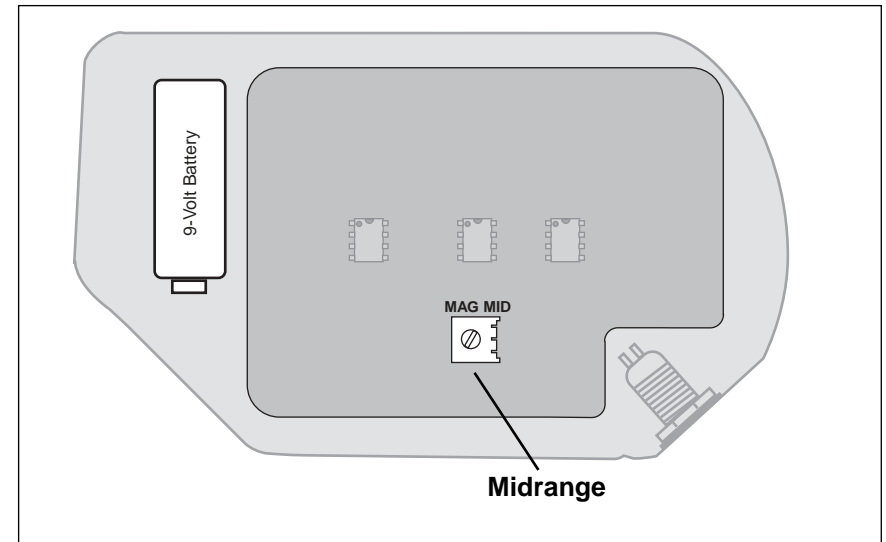
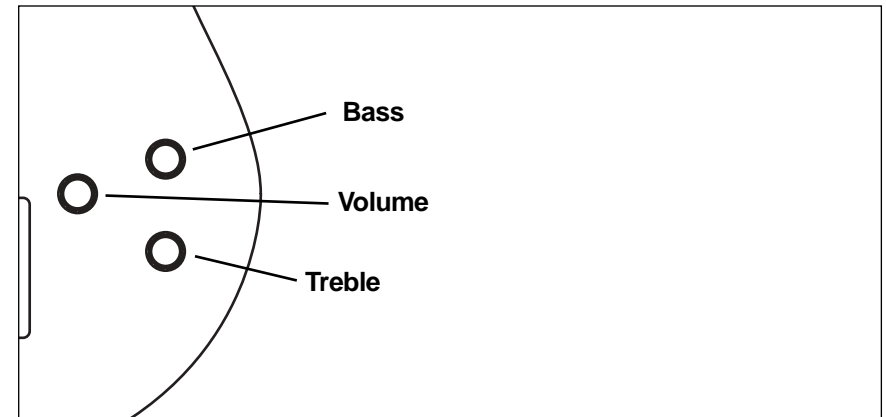
About the system

Volume control. Unlike passive volume controls, which decrease the volume by shorting some of the signal to ground, causing degradation in tone, the active volume control on the ZP2 allows the volume to be set to any level without overall loss of highs or tonal change. Play a note, let it ring while slowly turning this control up and down, and you'll hear no change in tone.

Bass control. 15dB boost or cut of bass at a center frequency of 30 Hz. Turning the control clockwise boosts the bass. Turning the control counterclockwise cuts the bass. The detent, or "click," in the center of the control is the "flat" position, zero boost or cut.

Midrange control (internal). 15dB boost or cut of midrange at a center frequency of 330 Hz. Turning the control clockwise boosts the mids. Turning the control counterclockwise cuts the mids. The midpoint in the control's sweep is the "flat" position, zero boost or cut.

Treble control. 15dB boost or cut of treble at a center frequency of 3kHz. Turning the control clockwise boosts the treble. Turning the control counterclockwise cuts the treble. The detent, or "click," in the center of the control is the "flat" position, zero boost or cut.



ZP-2D & ZP-2DM

MODELS: Sonus Custom, Legacy Elite, Legacy Elite Special

- Description:** Class A design with studio-grade components on a printed circuit board
- Function:** Active master volume, pickup blend, Bass, treble and internal midrange boost/cut
- Specifications:** Output level +16dBm. S/N ratio 100dB
- Power requirements:** One 9-volt battery
- Battery life expectancy:** 200 hours continuous use

About the system

Volume control. Unlike passive volume controls, which decrease the volume by shorting some of the signal to ground, causing degradation in tone, the active volume control on the ZP2 allows the volume to be set to any level without overall loss of highs or tonal change. Play a note, let it ring while slowly turning this control up and down, and you'll hear no change in tone.

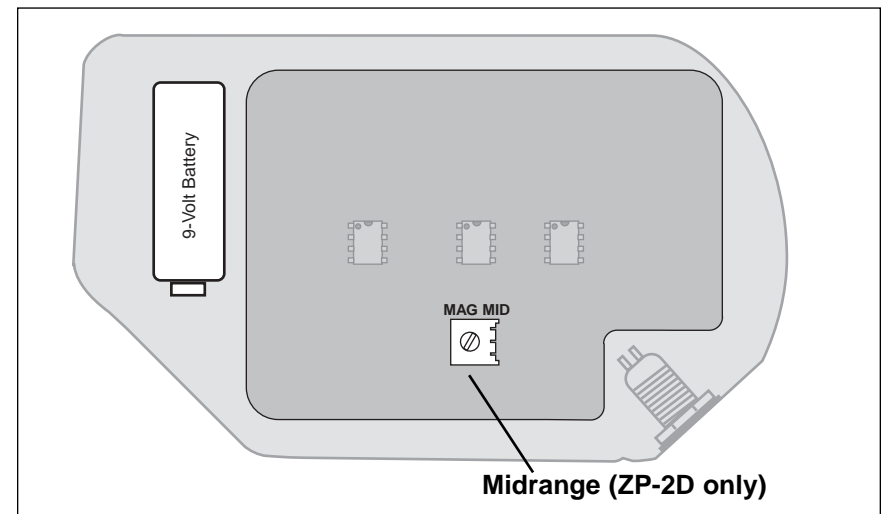
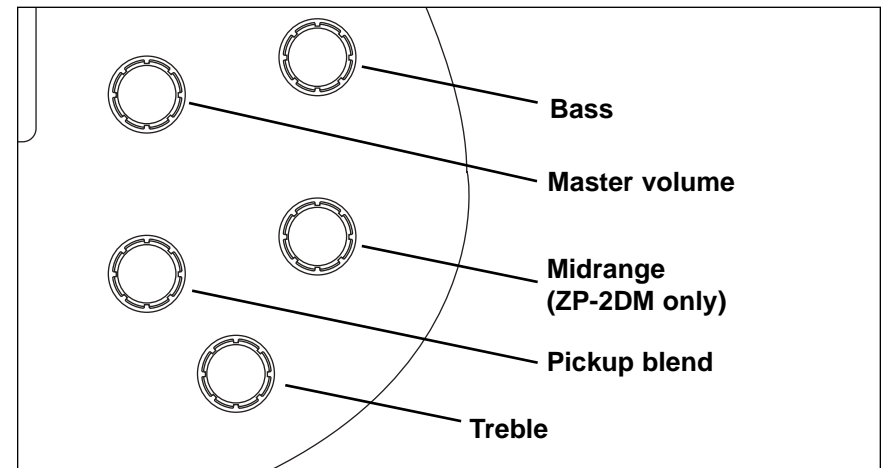
Pickup blend control. Buffered inputs provide exacting control over blending the neck and bridge pickups. This feature allows even the most subtle blend, for a greater variety of tone. Turning the control clockwise brings in the bridge pickup. Turning the control counterclockwise brings in the neck pickup. The detent, or "click," in the center of the control is the point where both pickups are on equally.

Bass control. 15dB boost or cut of bass at a center frequency of 30 Hz. Turning the control clockwise boosts the bass. Turning the control counterclockwise cuts the bass. The detent, or "click," in the center of the control is the "flat" position, zero boost or cut.

Midrange control. 15dB boost or cut of midrange at a center frequency of 330 Hz. On basses equipped with the ZP-2D, the midrange control is an internal trimmer on the circuit board. Turning the control clockwise boosts the mids. Turning the control counterclockwise cuts the mids. The midpoint in the control's sweep is the "flat" position, zero boost or cut. (You will need to remove the control cavity's cover plate to adjust this control.) On basses equipped with

the ZP-2DM, the midrange control is a knob on the instrument's face. Turning the control clockwise boosts the mids. Turning the control counterclockwise cuts the mids. A detent, or "click," in the center of the control is the "flat" position, zero boost or cut.

Treble control. 15dB boost or cut of treble at a center frequency of 3kHz. Turning the control clockwise boosts the treble. Turning the control counterclockwise cuts the treble. The detent, or "click," in the center of the control is the "flat" position, zero boost or cut.



ZP-3D

MODELS: Sonus Custom & Legacy Elite w/piezo

- Description:** Class A design with studio-grade components on a printed circuit board
- Function:** Active master volume, pickup blend, magnetic/piezo blend
- Magnetics:** Bass, treble and internal midrange boost/cut with center frequency switch for mids and treble
- Piezo:** Level, bass, and treble gain controls
- Specifications:** Output level -10dBm
- Power requirements:** One 9-volt battery
- Battery life expectancy:** 200 hours continuous use

About the system

Volume control. Unlike passive volume controls which decrease the volume by shorting some of the signal to ground, causing degradation in tone, the active volume control on the ZP3 allows the volume to be set to any level without overall loss of highs or tonal change. Play a note, let it ring while slowly turning this control up and down, you'll hear no change in tone.

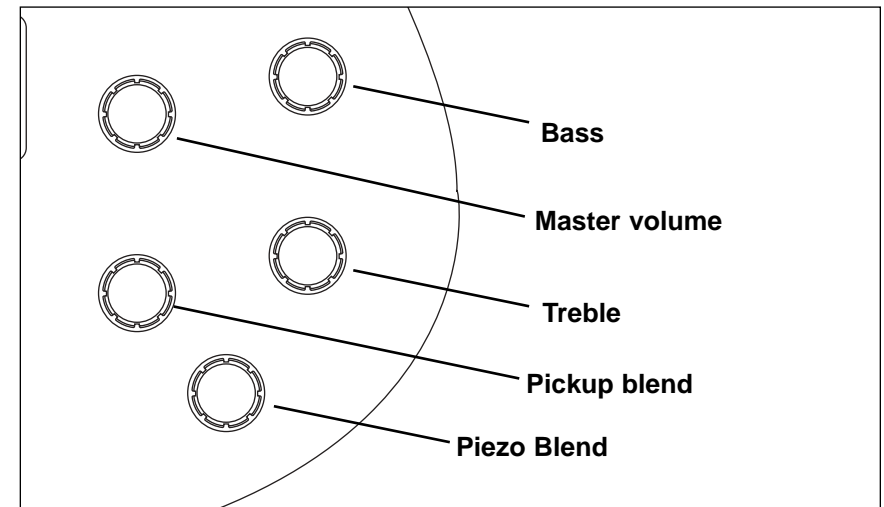
Pickup blend control. Buffered inputs provide exacting control over blending the neck and bridge magnetic pickups. This feature allows even the most subtle blend, for a greater variety of tone. Turning the control clockwise brings in the bridge pickup. Turning the control counterclockwise brings in the neck pickup. The detent, or "click," in the center of the control is the point where both pickups are on equally.

Bass control. 15dB boost or cut of bass at a center frequency of 30Hz. Turning the control clockwise boosts the bass. Turning the control counterclockwise cuts the bass. The detent, or "click," in the center of the control is the "flat" position, zero boost or cut.

Treble control. 15dB boost or cut of treble at a center frequency deter-

mined by the switch selection. Turning the control clockwise boosts the treble. Turning the control counterclockwise cuts the treble. The detent, or "click," in the center of the control is the "flat" position, zero boost or cut.

Piezo blend control. Provides the ability to continuously blend the signal from piezo bridge and the magnetic pickups. Turning the control clockwise alters the balance between piezo and magnetic pickups by emphasizing the magnetic signal while de-emphasizing the piezo. Turning the control counterclockwise de-emphasizes the magnetic pickups while emphasizing the piezo.



*ZP-3D "About The System"
continues on page 18*

ZP-3D continued

Internal Controls

The following controls are located inside the bass' control cavity. You will need to remove the rear cover plate to adjust them.

Magnetic Pickup EQ

Midrange switch. Select from 150 Hz, 250 Hz, 400 Hz, or 700 Hz as the center frequency from which to boost or cut.

High frequency switch. Select from 1.5kHz, 3.0kHz, 4.5kHz, or 7.0kHz as the center frequency from which to boost or cut.

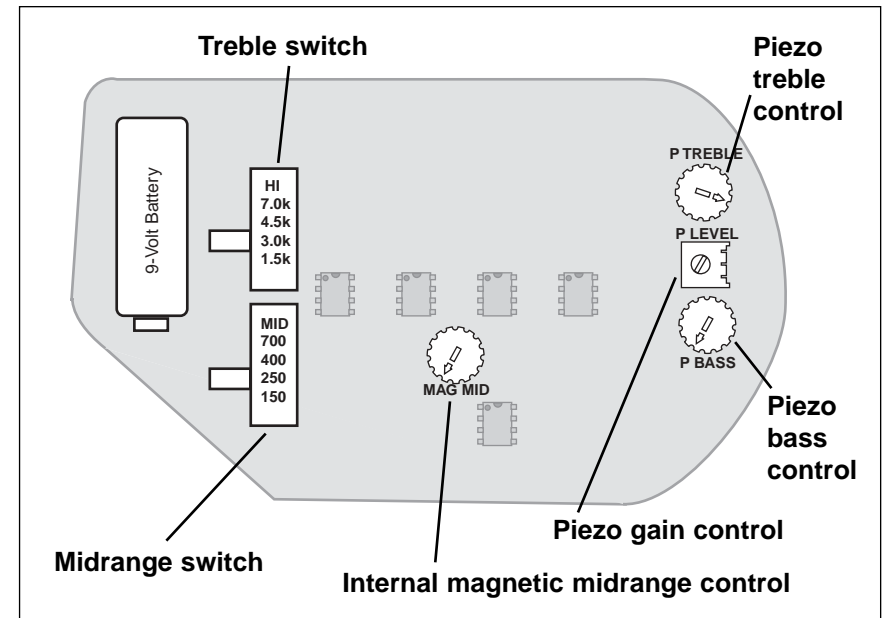
Midrange control. 15dB boost or cut of midrange at a center frequency selected by the midrange switch position. Turning the control clockwise boosts the mids. Turning the control counterclockwise cuts the mids. The midpoint in the control's sweep is the "flat" position, zero boost or cut.

Piezo EQ

P level. Piezo gain control. Turn control up or down to adjust the ratio of piezo output to magnetic output.

P bass. Bass gain control. Turning the control clockwise increases bass, turning the control counterclockwise decreases bass.

P treble. Treble gain control. Turning the control clockwise increases treble, turning the control counterclockwise decreases treble.



ZP-4

MODELS: *Sonus 4/2 & 5/2*

Description: Class A design with studio-grade components on a printed circuit board

Function: Active master volume, pickup blend. Bass, treble and internal midrange boost/cut

Specifications: Output level +16dBm. S/N ratio 100dB

Power requirements: One 9-volt battery

Battery life expectancy: 200 hours continuous use

About the system

Volume control. Unlike passive volume controls that decrease the volume by shorting some of the signal to ground, causing degradation in tone, the active volume control on the ZP4 allows the volume to be set to any level without overall loss of highs or tonal change. Play a note, let it ring while slowly turning this control up and down, and you'll hear no change in tone.

Pickup blend control. Buffered inputs provide exacting control over blending the neck and bridge pickups. This feature allows even the most subtle blend, for a greater variety of tone. Turning the control clockwise brings in the bridge pickup. Turning the control counterclockwise brings in the neck pickup. The detent, or "click," in the center of the control is the point where both pickups are on equally.

Bass control. 15dB boost or cut of bass at a center frequency of 30 Hz. Turning the control clockwise boosts the bass. Turning the control counterclockwise cuts the bass. The detent, or "click," in the center of the control is the "flat" position, zero boost or cut.

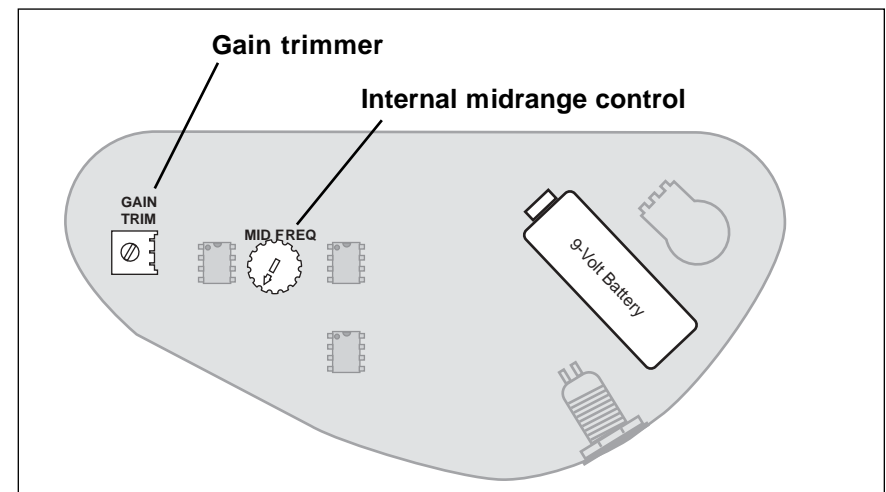
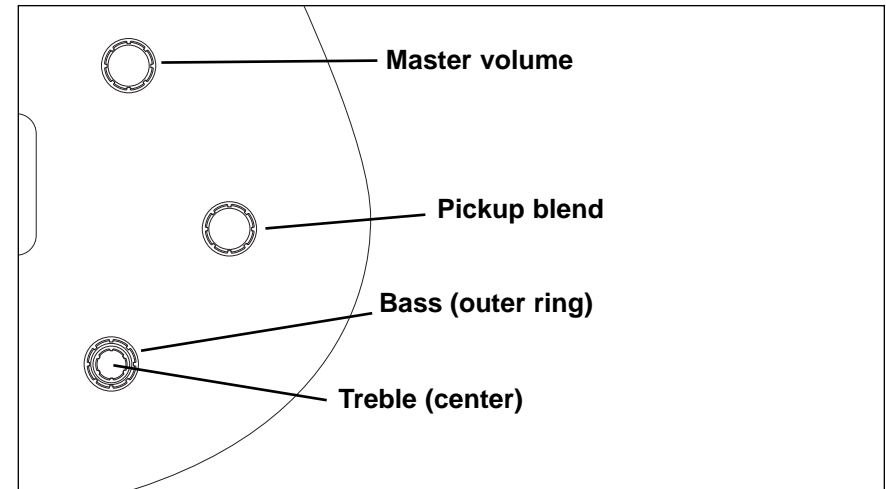
Internal midrange control. 15dB boost or cut of midrange at a center frequency of 330 Hz. Turning the control clockwise boosts the mids. Turning the control counterclockwise cuts the mids. The midpoint in the control's sweep is the "flat" position, zero boost or cut.

Treble control. 15dB boost or cut of treble at a center frequency of 3kHz. Turning the control clockwise boosts the treble. Turning the control coun-

terclockwise cuts the treble. The detent, or "click," in the center of the control is the "flat" position, zero boost or cut.

Gain trimmer. Attenuates overall output level. Factory setting is mid position.

Caution: Setting gain too high may cause distortion.



ZB-2

MODELS: Sonus 4/1 & 5/1

Description:	Hand-assembled components housed in an electrostatically shielded, epoxy module
Function:	Master volume, bass and treble boost/cut
Specifications:	Output level N/A
Power requirements:	One 9-volt battery
Battery life expectancy:	500 hours continuous use

About the system

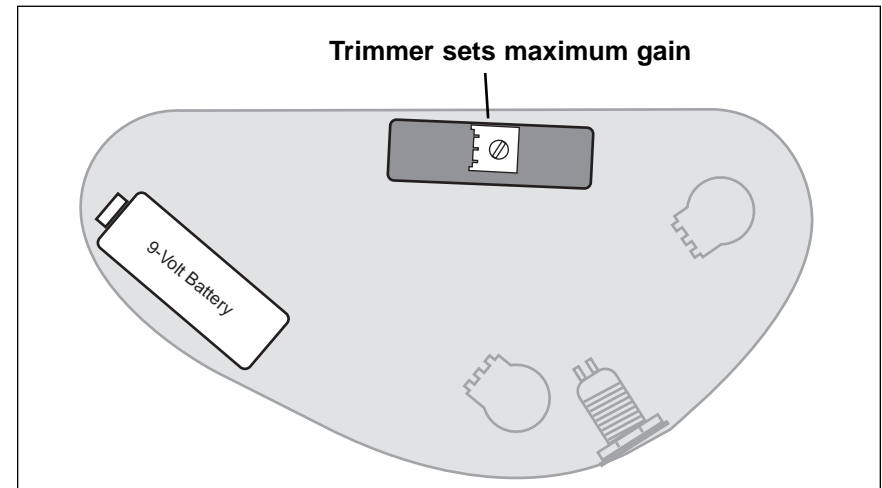
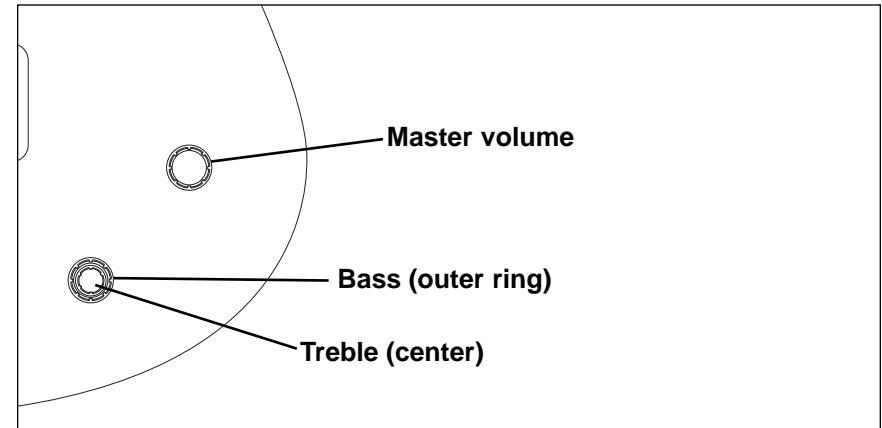
Master volume control. Controls overall volume level. Turning the control clockwise increases the volume; turning the control counterclockwise decreases the volume.

Bass control. 15dB boost or cut of bass at a center frequency of 50 Hz. Turning the control clockwise boosts the bass; turning the control counterclockwise cuts the bass. The detent, or “click,” in the center of the control is the “flat” position, zero boost or cut.

Treble control. 15dB boost or cut of treble at a center frequency of 5kHz. Turning the control clockwise boosts the treble; turning the control counterclockwise cuts the treble. The detent, or “click,” in the center of the control is the “flat” position, zero boost or cut.

Trimmer. This control on the circuit module attenuates overall output level. Its factory setting is the mid position.

Caution: Setting gain too high may cause distortion.



ZB-3

MODELS: Sonus 4, 5, 6, 8 & Special

- Description:** Hand-assembled components housed in an electrostatically shielded, epoxy module
- Function:** Master volume, pickup blend, bass and treble boost/cut
- Specifications:** Output level -10dBm
- Power requirements:** One 9-volt battery
- Battery life expectancy:** 500 hours continuous use

About the system

Master volume control Controls overall volume level. Turning the control clockwise increases the volume; turning the control counterclockwise decreases the volume.

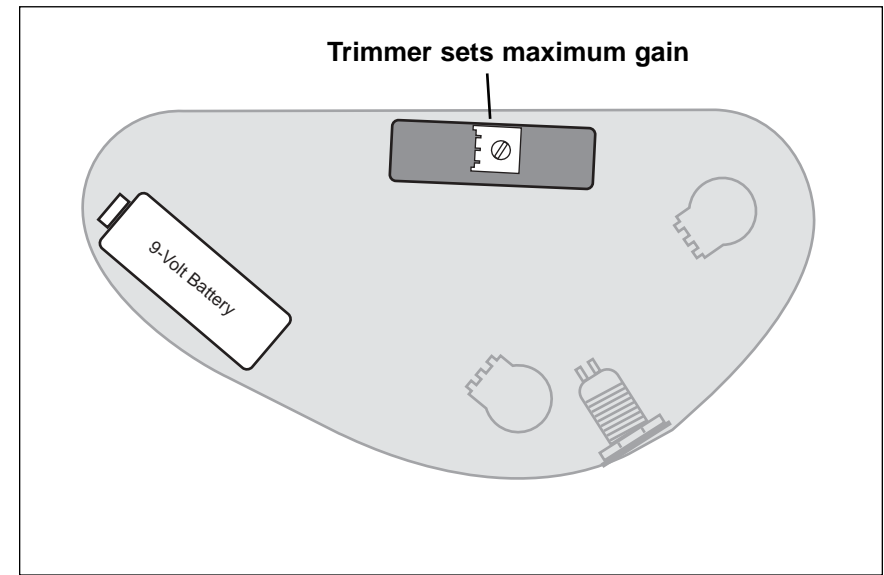
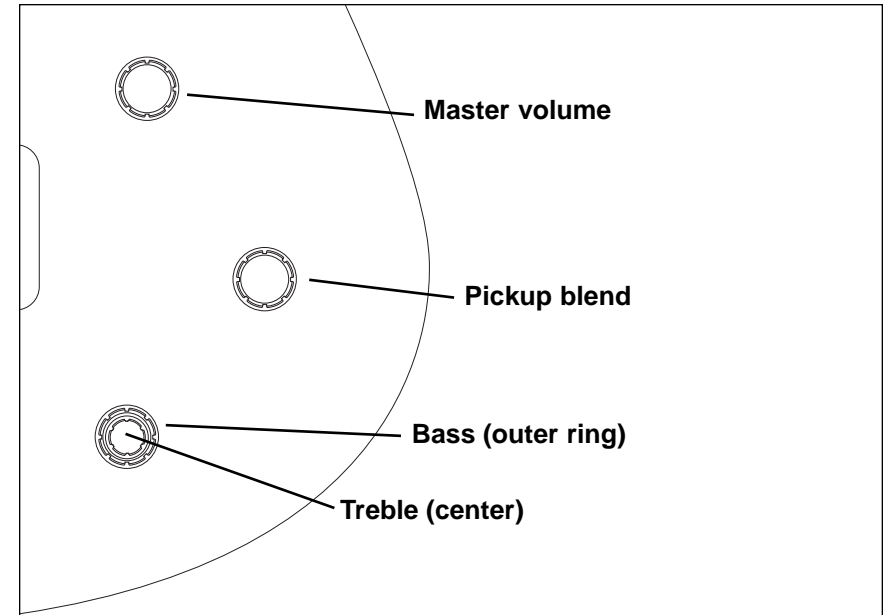
Pickup blend control. Controls relative blend of pickups. Turning the control clockwise emphasizes the bridge pickup. Turning the control counterclockwise emphasizes the neck pickup. The detent, or “click,” in the center of the control is the point where both pickups are on equally.

Bass control. 15dB. boost or cut of bass at a center frequency of 50Hz. Turning the control clockwise boosts the bass. Turning the control counterclockwise cuts the bass. The detent, or “click,” in the center of the control is the “flat” position, zero boost or cut.

Treble control. 15dB boost or cut of treble at a center frequency of 5kHz. Turning the control clockwise boosts the treble. Turning the control counterclockwise cuts the treble. The detent, or “click,” in the center of the control is the “flat” position, zero boost or cut.

Trimmer. This control on the circuit module attenuates overall output level. Its factory setting is the mid position.

Caution: Setting gain too high may cause distortion.



ZB-4

MODEL: *Sonus 519*

Description: Hand-assembled components housed in an electrostatically shielded, epoxy module

Function: Master volume, pickup blend, bass, midrange, and treble boost/cut with 3-position midrange frequency switch

Specifications: Output level -10dBm

Power requirements: One 9-volt battery

Battery life expectancy: 500 hours continuous use

About the system

Master volume control. Controls overall volume level. Turning the control clockwise increases the volume; turning the control counterclockwise decreases the volume.

Pickup blend control. Controls relative blend of pickups. Turning the control clockwise emphasizes the bridge pickup. Turning the control counterclockwise emphasizes the neck pickup. The detent, or “click,” in the center of the control is the point where both pickups are on equally.

Bass control. 15dB boost or cut of bass at a center frequency of 50 Hz. Turning the control clockwise boosts the bass. Turning the control counterclockwise cuts the bass. The detent, or “click,” in the center of the control is the “flat” position, zero boost or cut.

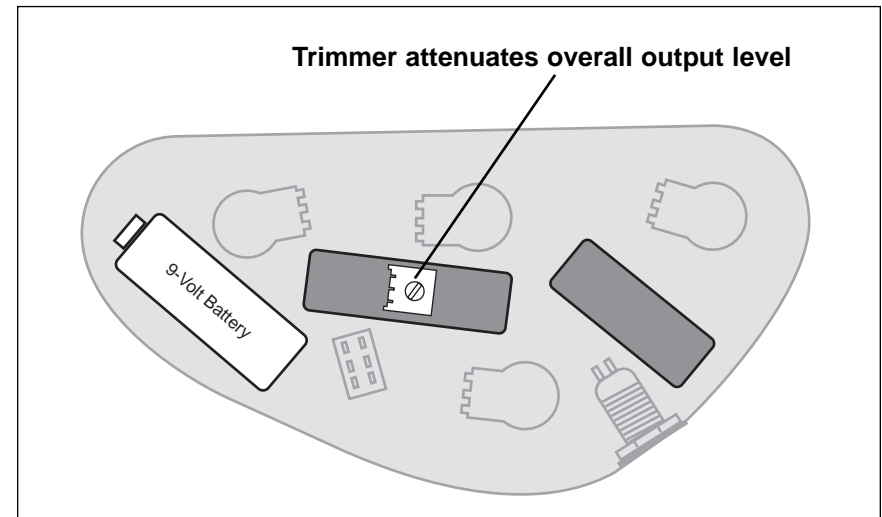
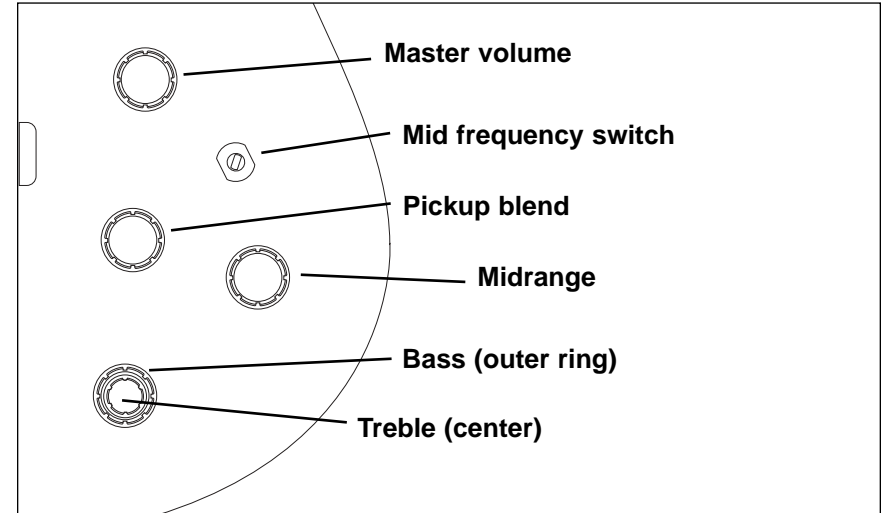
Midrange control. 15dB boost or cut of midrange at a center frequency determined by the switch selection. Turning the control clockwise boosts the mids. Turning the control counterclockwise cuts the mids. The detent, or “click,” in the center of the control is the “flat” position, zero boost or cut.

Treble control. 15dB boost or cut of treble at a center frequency of 5kHz. Turning the control clockwise boosts the treble. Turning the control counterclockwise cuts the treble. The detent, or “click,” in the center of the control is the “flat” position, zero boost or cut.

Mid frequency switch. Down position @ 250 Hz. Center position @ 400 Hz. Up position @ 700 Hz.

Trimmer. This control on the circuit module attenuates overall output level. Its factory setting is the mid position.

Caution: Setting gain too high may cause distortion.



ZB-5

MODELS: VB4 & VB5

- Description:** Hand-assembled components housed in an electrostatically shielded, epoxy module
- Function:** Master volume, pickup blend, bass, mid and treble boost/cut with push/pull selectable midrange frequency
- Specifications:** Output level N/A
- Power requirements:** One 9-volt battery
- Battery life expectancy:** 500 hours continuous use

About the system

Master volume control. Controls overall volume level. Turning the control clockwise increases the volume; turning the control counterclockwise decreases the volume.

Pickup blend control. Controls relative blend of pickups. Turning the control clockwise emphasizes the bridge pickup. Turning the control counterclockwise emphasizes the neck pickup. The detent, or “click,” in the center of the control is the point where both pickups are on equally.

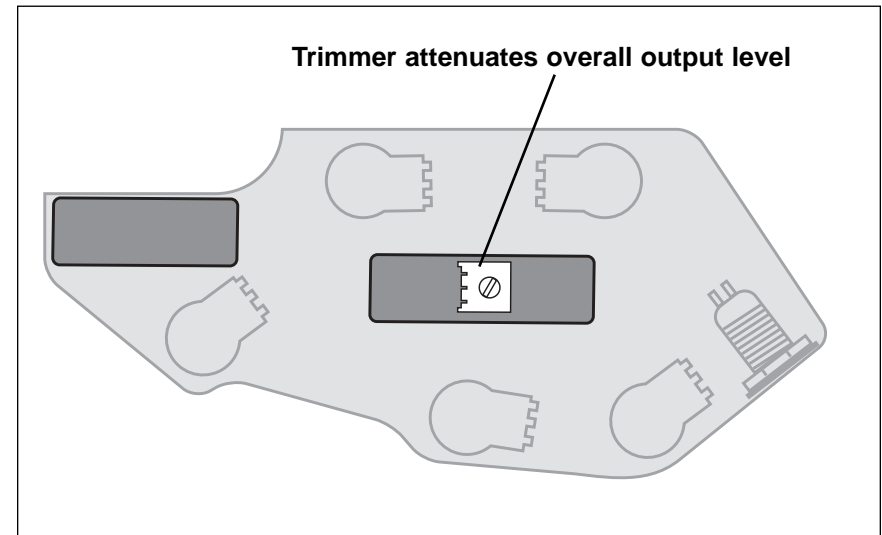
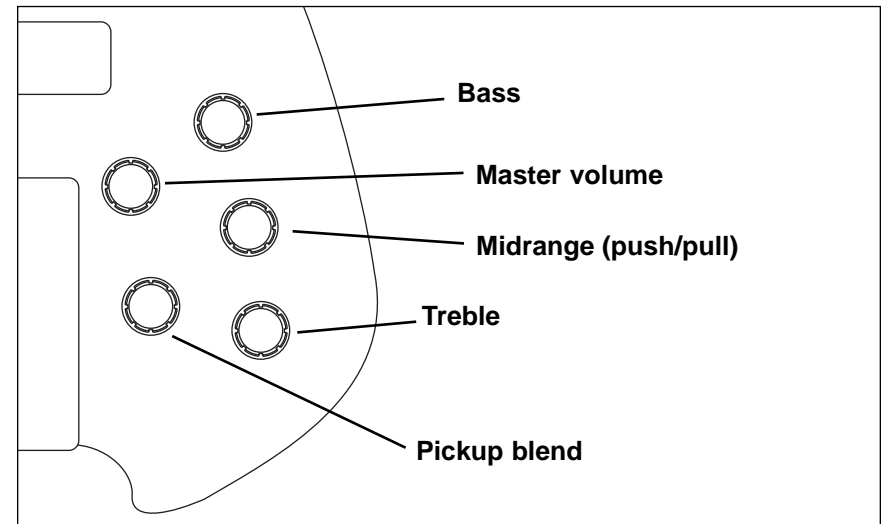
Bass control. 15dB boost or cut of bass at a center frequency of 50 Hz. Turning the control clockwise boosts the bass, turning the control counterclockwise cuts the bass. The detent, or “click,” in the center of the control is the “flat” position, zero boost or cut.

Midrange control. 15dB boost or cut of midrange at 250 Hz with knob in “up” (push/pull pot) position and at 800 Hz with knob in “down” position. Turning the control clockwise boosts the mids. Turning the control counterclockwise cuts the mids. The detent, or “click,” in the center of the control is the “flat” position, zero boost or cut.

Treble control. 15dB boost or cut of treble at a center frequency of 5kHz. Turning the control clockwise boosts the treble, turning the control counterclockwise cuts the treble. The detent, or “click,” in the center of the control is the “flat” position, zero boost or cut.

Trimmer. This control on the circuit module attenuates overall output level. Its factory setting is the mid position.

Caution: Setting gain too high may cause distortion.



ZB-6

MODEL: *Sonus Studio*

- Description:** Hand-assembled components housed in an electrostatically shielded, epoxy module
- Function:** Master volume, pickup blend, bass and treble boost/cut with 3-position boost switch for each pickup
- Specifications:** Output level -16dBm
- Power requirements:** Two 9-volt batteries
- Battery life expectancy:** 250 hours continuous use

About the system

Master volume control. Controls overall volume level. Turning the control clockwise increases the volume; turning the control counterclockwise decreases the volume.

Pickup blend control. Controls relative blend of pickups. Turning the control clockwise emphasizes the bridge pickup. Turning the control counterclockwise emphasizes the neck pickup. The detent, or “click,” in the center of the control is the point where both pickups are on equally.

Bass control (neck and bridge). 15dB boost or cut of bass at a center frequency of 50 Hz. Turning the control clockwise boosts the bass. Turning the control counterclockwise cuts the bass. The detent, or “click,” in the center of the control is the “flat” position, zero boost or cut.

Treble control (neck and bridge). 15dB boost or cut of treble at a center frequency of 5kHz. Turning the control clockwise boosts the treble. Turning the control counterclockwise cuts the treble. The detent, or “click,” in the center of the control is the “flat” position, zero boost or cut.

Neck pickup boost switch. Down position: mid boost @ 450 Hz. Up position: boost mids @ 450 Hz and treble at 3kHz. Center position: flat, zero boost.

Bridge pickup boost switch. Down position: mid boost @ 450 Hz. Up position: boost mids @ 450 Hz and treble at 3kHz. Center position: flat, zero boost.

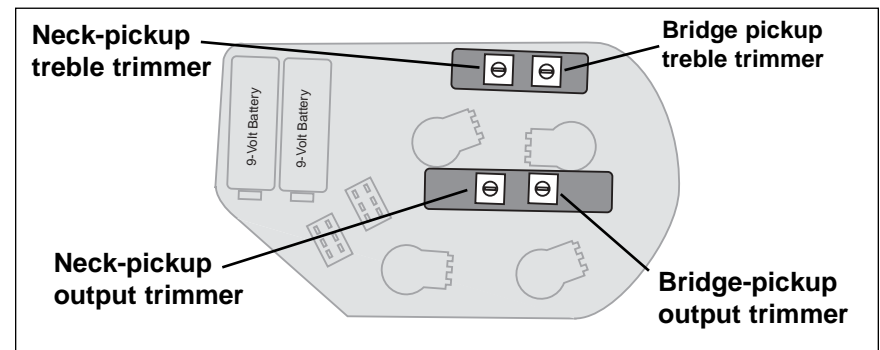
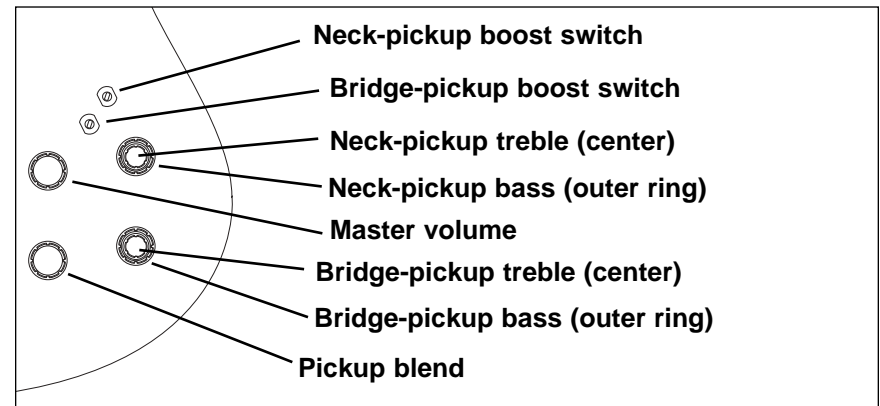
Neck pickup treble trimmer. Attenuates treble for 3-position boost switch.

Bridge pickup treble trimmer. Attenuates level of treble for 3-position boost switch.

Neck pickup output trimmer. Attenuates overall output level of neck pickup. Its factory setting is mid position.

Bridge pickup output trimmer. Attenuates overall output level of bridge pickup. Its factory setting is mid position.

Caution: Setting gain too high may cause distortion.



ZDP-1 *(Tribute)* & ZAP3 *(Tribute Pro)*

- Description:** Hand-assembled components housed in an electrostatically shielded, epoxy module
- Function:** Master volume, pickup blend, bass, mid and treble boost/cut
- Specifications:** Output level N/A
- Power requirements:** Two 9-volt batteries
- Battery life expectancy:** 300 hours continuous use

About the system

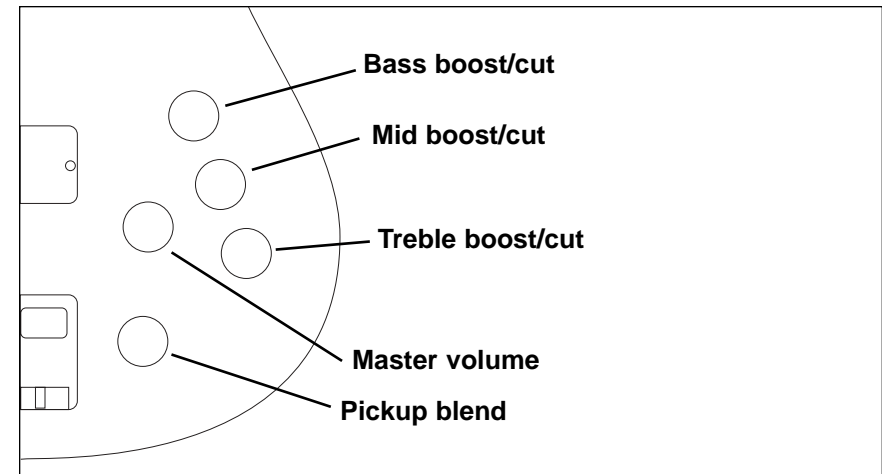
Master volume control. Controls overall volume level. Turning the control clockwise increases the volume; turning the control counterclockwise decreases the volume.

Pickup blend control. Controls relative blend of pickups. Turning the control clockwise emphasizes the bridge pickup. Turning the control counterclockwise emphasizes the neck pickup. The detent, or “click,” in the center of the control is the point where both pickups are on equally.

Bass control. 15dB boost or cut of bass at a center frequency of 50 Hz. Turning the control clockwise boosts the bass. Turning the control counterclockwise cuts the bass. The detent, or “click,” in the center of the control is the “flat” position, zero boost or cut.

Midrange control. 15dB boost or cut of midrange at 400 Hz. Turning the control clockwise boosts the mids; turning the control counterclockwise cuts the mids. The detent, or “click,” in the center of the control is the “flat” position, zero boost or cut.

Treble control. 15dB boost or cut of treble at a center frequency of 5kHz. Turning the control clockwise boosts the treble. Turning the control counterclockwise cuts the treble. The detent, or “click,” in the center of the control is the “flat” position, zero boost or cut.



ZAP-1

MODELS: *Sonus Classic 4 & 5*

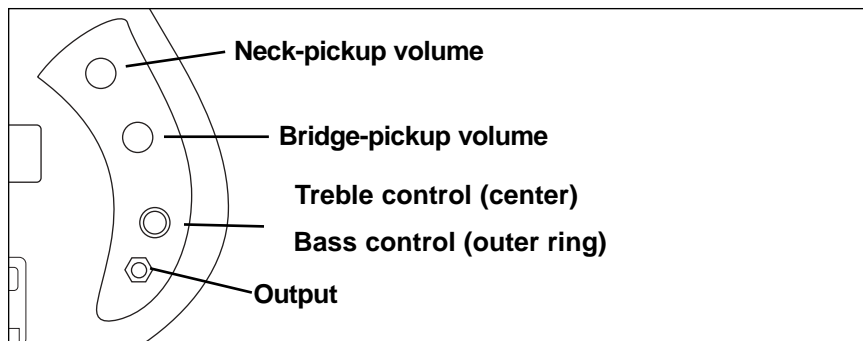
- Description:** Hand-assembled components housed in an electrostatically shielded, epoxy module
- Function:** Volume (neck pickup), Volume (bridge pickup). Concentric bass/treble control
- Specifications:** N/A
- Power requirements:** One 9-volt battery
- Battery life expectancy:** 500 hours continuous use

About the system

Neck-pickup volume control. Buffered volume control for neck pickup, will not interact with other controls. Turning the control clockwise increases the volume; turning the control counterclockwise decreases the volume.

Bridge-pickup volume control. Buffered volume control for bridge pickup, will not interact with other controls. Turning the control clockwise increases the volume; turning the control counterclockwise decreases the volume.

Bass/treble control. 12 dB boost of bass and treble at a center frequency of 40 Hz and 4kHz respectively. Turning the outer ring of the control clockwise increases the bass. Turning it counterclockwise decreases the bass. Turning the knob of the control clockwise increases the treble. Turning it counterclockwise decreases the treble.



S2

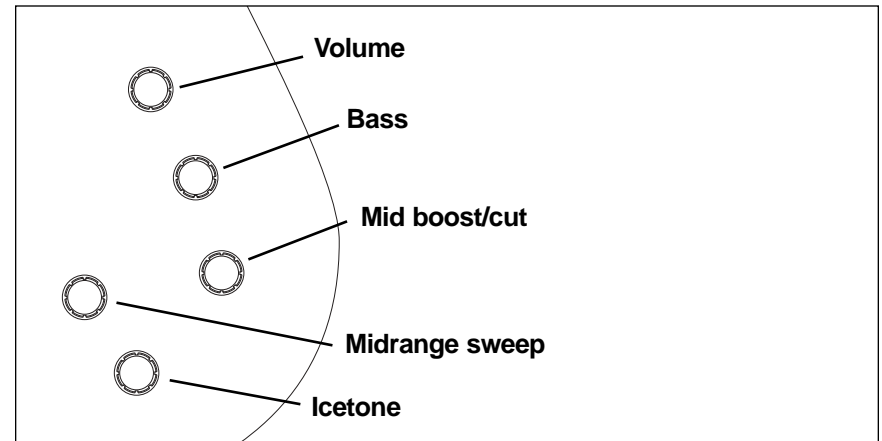
MODELS *Sonus Lightwave 4, 5 & 6*

- Description:** Infrared light pickup system with piezo elements.
- Function:** Master volume, bass and midrange boost/cut, mid sweep, piezo (Icetone) blend controls
- Specifications:** N/A
- Power requirements:** 18-volt NiMH battery.
- Battery life expectancy:** 15 hours of continuous play time between charges

About the system

Master volume control. Controls the overall volume level of optical and piezo pickups. Turning the control clockwise raises the volume. Turning the control counterclockwise lowers the volume.

Bass control. 12dB boost or cut of bass. Turning the control clockwise boosts the bass. Turning the control counterclockwise cuts the bass. The detent, or “click,” in the center of the control is the “flat” position, zero boost or cut.

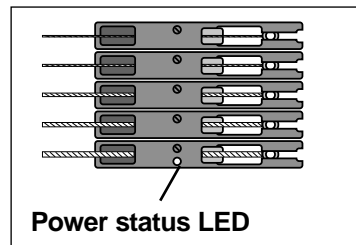


Midrange control. 12dB boost or cut of midrange at a frequency selected by the mid sweep control. Turning the control clockwise boosts the mids. Turning the control counterclockwise cuts the mids. The detent, or “click,” in the center of the control is the “flat” position, zero boost or cut.

Midrange sweep control. Provides a variable Q that is narrow in the low frequencies and increasingly broad in the higher frequencies. Turning the control from the fully counterclockwise position to the fully clockwise position references (sweeps) frequencies from 200 Hz to 1,000 Hz. The detent, or “click,” in the center of the knob’s rotation sets the sweep at approximately 450 Hz. Rotate this control in either direction to sweep the frequency band until you find the desired frequency to boost or cut.

Piezo (Icetone) control. Allows the blending of the signal from the piezo elements (built into the individual monoliths) with the optical signal. Adding Icetone enhances presence and brightness. Turning the control clockwise increases the amount of piezo signal, while turning the control counterclockwise reduces the amount of piezo signal. Icetone cannot be selected separately.

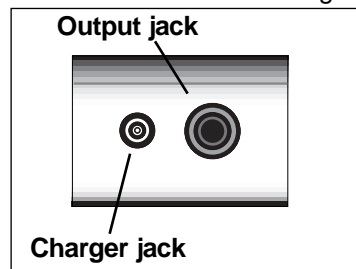
Power status LED. This red LED illuminates when a 1/4" plug is inserted into the output jack. This indicates the system is powered on. The battery typically provides 15 hours of playing time on a single charge.



Note: Two hours of playing time remain after this LED goes dark.

Power management LED. Located on the rear cover plate. Operates only when charger is plugged in. Red indicates that the battery is charging. Green indicates a full charge. A full charge is achieved in one hour.

Note: It is a normal function of this LED to show red each time the charger is plugged in, even if the battery has just been charged.



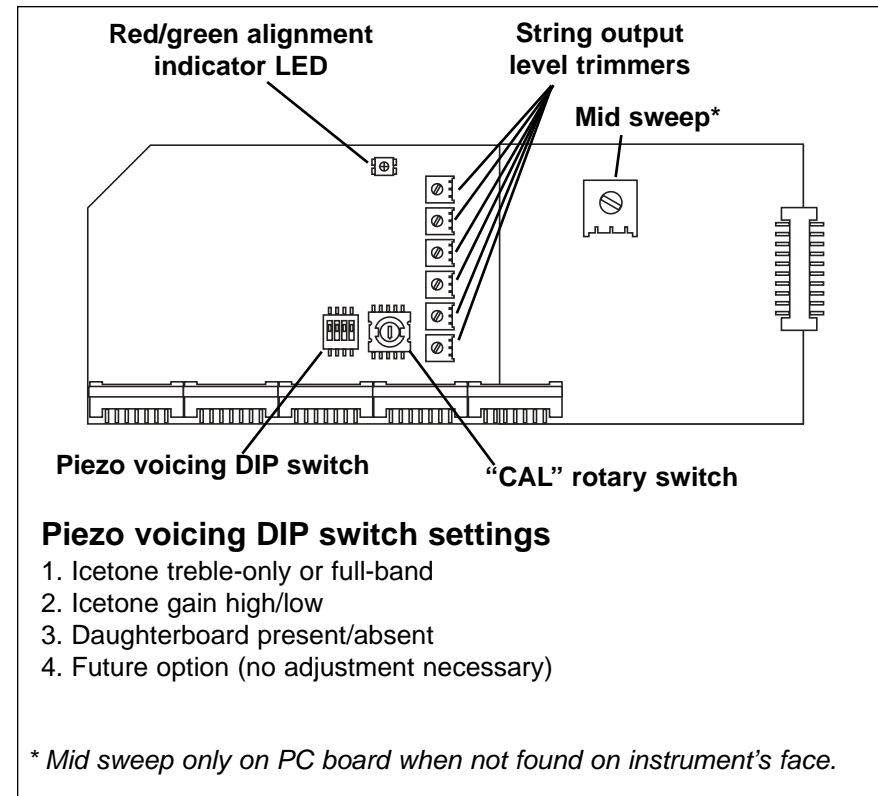
Charger jack. Insert the wall charger’s output plug here to recharge the internal NiMH battery or to use the AC power adapter while playing.

Calibration instructions for S2 Lightwave

This system utilizes a beam of infrared light to sense string vibration, so proper string/light-receptor alignment is necessary for optimum performance. Calibration of the system is typically required when new strings are installed or when the playing action is modified.

Note: Adjust the string height (action) and set the intonation *before* calibrating the system.

1. Remove the rear cover plate and plug in a 1/4" cable to turn on the Lightwave system. No amplifier connection should be made.
2. With a 2mm flat-blade screwdriver, carefully rotate the Motherboard’s “CAL” rotary switch position from “0” to the first string to be adjusted. The order does not matter.



Note: The “CAL” switch position #1 is for the highest string.

3. Hold the bass in the approximate playing position, and with a .050" hex driver, rotate the optical adjustment hex screw (found on the top of the Monolith structure) clockwise, until the alignment LED turns red. Then turn it counterclockwise until the alignment LED turns green. This will confirm you are in the correct adjustment range.

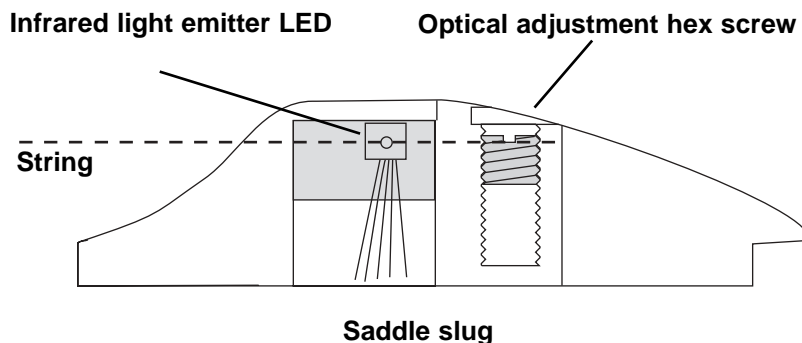
Note: If you do not achieve both colors lit, this does not necessarily indicate a problem. It likely means that the string saddle height is at or close to the very limit position.

4. Rotate the hex screw clockwise until the LED no longer shows green (or counterclockwise until the LED no longer shows red), and continue for approximately 1/8th turn. This should leave the hex screw set between the red and green positions, with the LED *not* glowing.

5. Repeat above steps 2 and 3 for the remaining strings, one at a time.

6. When all the strings are calibrated, return the “CAL” switch position to “0.” (The red/green alignment indicator LED cannot light in this position.)

Saddle height. With a large flat-blade screwdriver, rotate the saddle slug in half-turn increments—clockwise for lower action, counterclockwise for higher, until the desired string action is achieved. (Each half-turn raises or lowers the action by 1/32".) Align the rotations so the string saddle channel is accurately parallel with the string path.



Preliminary Optical Alignment. Using a .050" hex driver, rotate the Monolith's optical adjustment hex screw clockwise for up and counterclockwise for down, until the Infrared light emitter LED is approximately parallel with the string. This will assure that the string is in the approximate position for final zeroing of the optics.

Intonation. Proper string intonation is achieved by manually shifting each complete monolith structure either towards the nut (for a flat pitch reading at the 12th fret) or away from the nut (for a sharp pitch reading at the 12th fret). This adjustment is made with the string *loosened* prior to moving the Monolith structure.



Warranty

Zon Guitars guarantees this instrument for a period of one year, to the original owner, from the date of purchase. To validate this warranty, this card and a copy of the sales receipt or the online registration form must be completed and sent to Zon Guitars within 10 days of the original invoice date.

During the first year of normal use, Zon Guitars will repair or replace, at its option, any instrument having faulty materials or workmanship. In the event repairs are necessary, Zon Guitars must be notified in advance to return the instrument. Complete information about returning products can be found on our web site, <http://www.zonguitars.com>.

This warranty does not cover repairs or parts replacement necessitated as the result of misuse, accidental damage, tampering, or modifications made outside the factory. Furthermore, this warranty does not cover fret wear, finish damage, adjustments made for personal playing preference or wear and tear resulting from normal use. Transportation charges to and from Zon Guitars are the sole responsibility of the owner.

This warranty cannot be extended or transferred and is void if the instrument was not purchased from an authorized Zon dealer. No other warranties on this instrument are expressed or implied. The warranty does not cover used instruments.

Parts & Update Information

For a listing of parts specifications and component updates, visit our web-site at <http://www.zonguitars.com>.